

Part section on ϕ

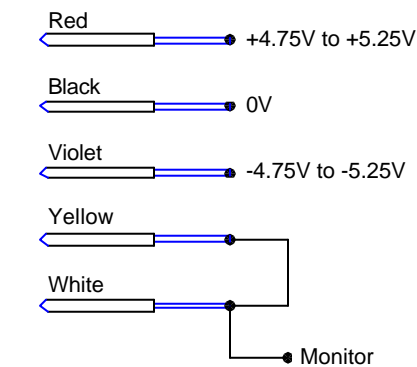
Package type	Photomultiplier type	Transimpedance	tr & tf or bandwidth	Length 'L' mm
P30A-01	9125B	100k Ω	100ns	181.5
P30A-02	9125WB	100k Ω	100ns	181.5
P30A-03	9125B	100k Ω	15ns	181.5
P30A-04	9130/350B	1M Ω	20kHz	181.5
P30A-05	9828B	100k Ω	15ns	181.5
P30A-06	9136B	100k Ω	15ns	161.5
P30A-10	9129B	100k Ω	15ns	181.5
P30A-13	9108B	100k Ω	15ns	161.5
P30A-14	9125QB	100k Ω	15ns	181.5
P30A-16	9136B	40k Ω	50kHz	161.5
P30A-17	9125WB	100k Ω	15ns	181.5
P30A-19	9828B	1M Ω	20 kHz	181.5

Notes.

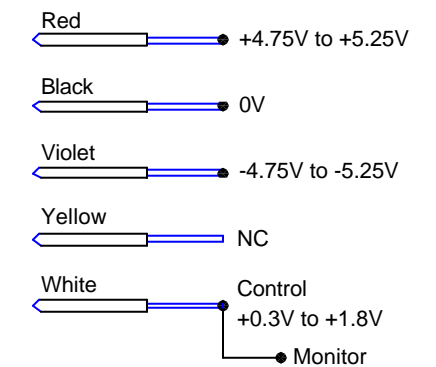
1. Case is internally connected to 0V.
2. Case finish, Black powder coat.
3. Typical input current 80mA at +5V and 20mA at -5V.

Programming options for integral high voltage power supply

A. Internal potentiometer (access from end face of package)



B. External voltage



NC: no connection - isolate lead

Monitor: 1/1000 of voltage applied to photomultiplier

Sales Drawing

	Issue	Date	C/Note No.	Sign	Material	Drawn by M. Stoodley	Project
	6	23.04.03				Date 14 March 2001	P30A series
Limits on all dimensions unless otherwise stated Linear dimensions - ± 0.1 mm Angular dimensions - $\pm 0.1^\circ$	7	23.06.03			Finish See note 2	Scale 1:1	Title Photodetector packages
					Code No.	Checked M Stoodley	Drawing Number
Confidentiality Notice . This document (including all information contained therein) is owned by Sens-Tech Limited and must be kept in confidence and used solely for the owner's specified purposes. This document must not be copied or reproduced, nor divulged, in whole or part, without the owner's prior written consent.	THIRD ANGLE PROJECTION				Approved R Ellis	Sheet size A3 F/DO007 issue 1	25894 C 784 Sheet 1 of 1